

In-Wall Boxes



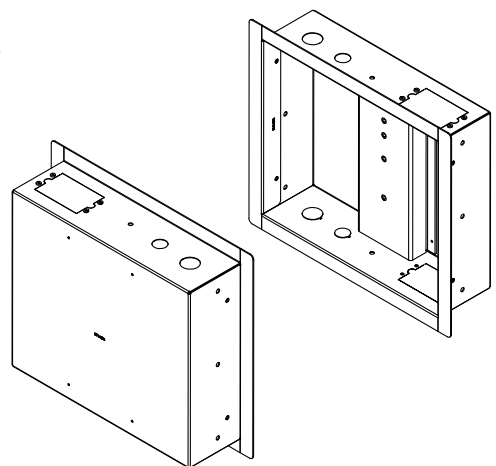
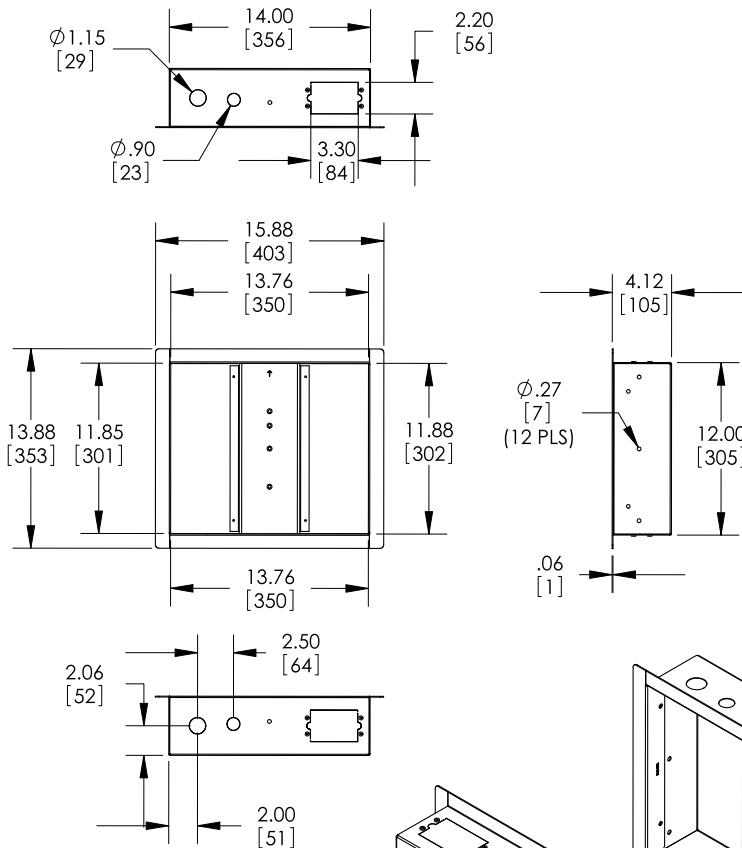
INW-AM200 In-Wall Box

The INW-AM200 in-wall box is designed to house the AM2 universal swingout arm for 10"- 37" flat-panel displays. It safely supports the mounting arm and comes with integrated PEM-Nut hardware and knockouts for power and signal cables. Installation kit includes wood shims for gaps. Assembly of mount not required.

- Recess mount for AM2 swingout arm
- 14" width fits snug within standard 16" studs
- Integrated PEM-Nut hardware
- Installation kit includes wood shims for gaps
- Cable routing along frame and through knockouts
- Frame allows for a finished look
- Fits: 10"- 37" flat-panel displays
- Max Load: 50 lbs. (23 kgs.)
- Color: White

Model
INW-AM200

Compatibility
AM2, AM2B



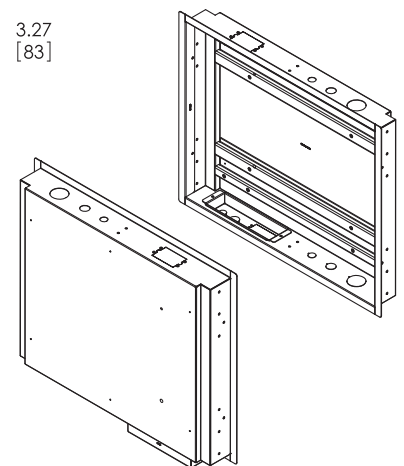
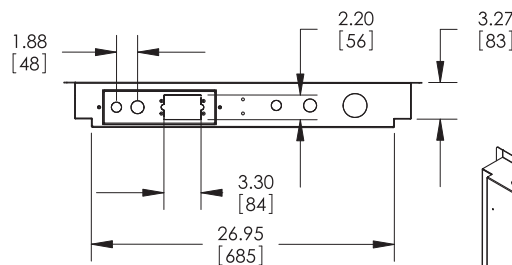
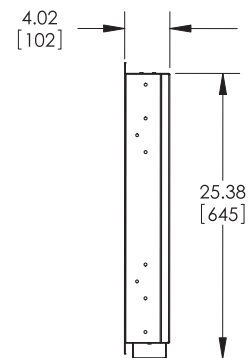
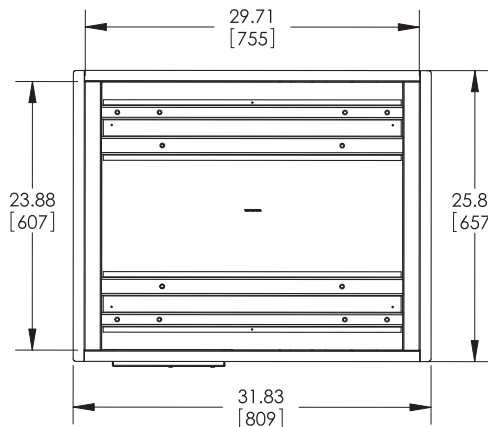
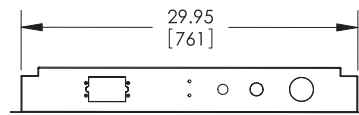
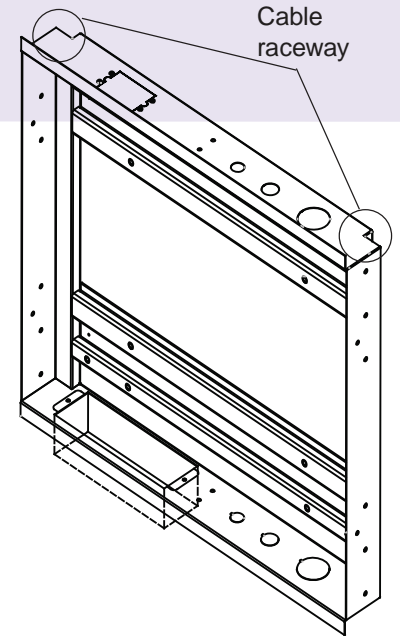


INW-AM325 In-Wall Box

The INW-AM325 in-wall box is designed to house either the AM250 or AM3 universal swingout arms. It safely supports the mounting arm and comes with multiple knockouts for power and signal. An optional box for external power and signal is included. Use the AM250 for 37"- 50" displays or the AM3 for 40"- 61" displays. Assembly of mount not required.

- Recess mount for AM250 and AM3 swingout arms
- Cable routing through knockouts
- Drop-in power/signal box for easy wiring
- Integrated PEM-Nut hardware
- Frame allows for a finished look
- Integrated electrical cable raceways
- Fits: 37"- 61" displays
- Max Load: 160 lbs. (73 kgs.)
- Color: White

Model Compatibility
 INW-AM325 AM250, AM3, AM3-B



Dimensions are in inches and millimeters [mm].
 Drawings are subject to change without notice.

800.368.9700 | www.mounts.com

